

## Nominal data

Type	4414 FNH	
Nominal voltage	VDC	24
Nominal voltage range	VDC	18 .. 26.4
Speed	min <sup>-1</sup>	5400
Power input	W	12
Min. ambient temperature	°C	-20
Max. ambient temperature	°C	70
Air flow	m <sup>3</sup> /h	225
Sound power level	B	6.7
Sound pressure level	dB(A)	55

ml = Max. load · me = Max. efficiency · fa = Running at free air · cs = Customer specs · cu = Customer unit  
Subject to alterations

4414 FNH

## DC axial compact fan

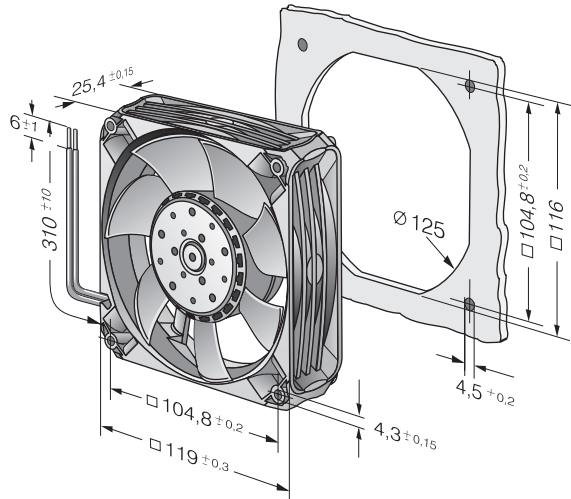
### Technical features

<b>Housing material</b>	Fibreglass-reinforced plastic (PBT)
<b>Impeller material</b>	Fibreglass-reinforced plastic (PA)
<b>Mass</b>	0.240 kg
<b>Dimensions</b>	119 x 119 x 25 mm
<b>Direction of air flow</b>	Air exhaust over bars
<b>Direction of rotation</b>	Left, looking at rotor
<b>Bearing</b>	Ball bearings
<b>Lifetime L10 at 40 °C</b>	60000 h
<b>Lifetime L10 at maximum temperature</b>	30000 h
<b>Connection line</b>	Single strands AWG 22, TR 64, bared and tin-plated.
<b>Motor protection</b>	Protected against reverse polarity and locking.
<b>Option</b>	Vario-Pro

4414 FNH

# DC axial compact fan

## Product drawing



Charts: Air flow

